



Wireless Access Point/Client Series

IT Level of Security, Purpose Built for OT Networks



AWK-3131A

- IEEE 802.11a/b/g/n AP/bridge/client support
- Millisecond-level Client-based Turbo Roaming
- Easy network setup with Network Address Translation (NAT)
- -40 to 75°C wide operating temperature range (-T models)
- 5 GHz DFS channel support



AWK-1137C

- Comprehensive interfaces with one serial port and two Ethernet LAN ports
- IEEE 802.11a/b/g/n client support
- Millisecond-level Client-based Turbo Roaming
- Easy network setup with Network Address Translation (NAT)
- Anti-vibration design
- Compact size for your industrial applications



AWK-4131A

- IP68-rated weatherproof housing designed for outdoor applications and -40 to 75°C wide operating temperature range
- 2x2 MIMO 802.11a/b/g/n AP/bridge/client
- -40 to 75°C wide operating temperature range (-T models)
- Integrated antenna and power isolation

Why Moxa?

The AWK industrial wireless AP/clients meet the growing need for faster data transmission speeds by supporting IEEE 802.11n technology with a net data rate of up to 300 Mbps. The AWK series is compliant with industrial standards and approvals covering operating temperature, power input voltage, surge, ESD, and vibration. Redundant DC power inputs increase the reliability of the power supply. The AWK series can operate on either the 2.4 or 5 GHz bands and is backwards-compatible with existing 802.11a/b/g deployments to future-proof your wireless investments.

Key Product Differentiators

- Designed for Effortless Network Deployment with AeroMag
- Security Focused Features: Minimize security breaches, reduce liability, improves efficiency
- Maximum Network and Channel Availability
- Resilient and Durable Design

Unlock the Full Potential of Your Network

MXStudio is an all-in-one toolset for the installation, operation, maintenance and diagnostic stages of your network's lifecycle.

See for yourself just how quick and easy this solution is – Download it for free!

[Learn More](#)



Reach out to us if you have any questions related to your Network Security Journey.

[Contact Us](#)

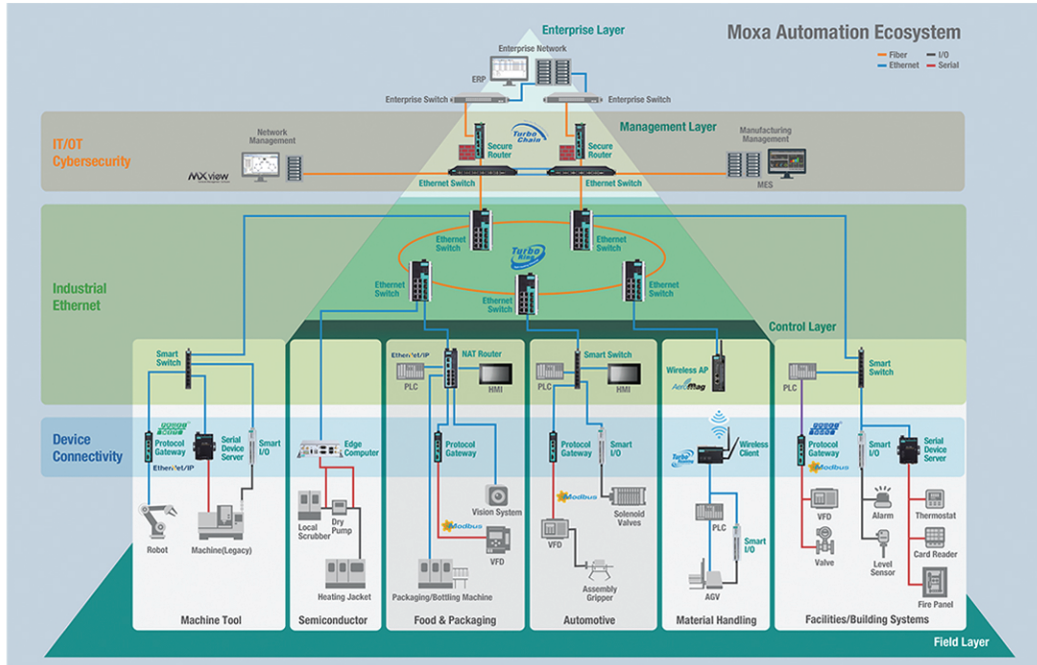
Protect Your Industrial Networks

IT Level of Security, Purpose Built for OT Networks



AWK Series Access Point and Clients

Every network application is unique depending on the environment, scale, & budget. However, there can be similarities in OT network design best practices across many companies and industries. The following example illustrates how our eco-system of connectivity solution can transform a factory/plant into something that is Smart, Efficient, and Secure.



Feature	AWK-3141A	AWK-3131A	AWK-1131A	AWK-1137C
Operation mode	AP/Client/Master/Slave/ Client-Router/Sniffer	AP/Client/Master/Slave/ Client-Router/Sniffer	AP/Client/Sniffer	Client/Slave/ Client-Router/Sniffer
WiFi Interface	IEEE 802.11 a/b/g/n with MIMO up to 300 Mbps	IEEE 802.11 a/b/g/n with MIMO up to 300 Mbps	IEEE 802.11 a/b/g/n with MIMO up to 300 Mbps	IEEE 802.11 a/b/g/n with MIMO up to 300 Mbps
Ethernet	1 x 10/100/1000Mbps	1 x 10/100/1000Mbps	1 x 10/100/1000Mbps	2 x 10/100Mbps
Serial	N/A	N/A	N/A	1 x RS-232/422/485
Maximum number of Clients per AP device	100 connection/ 60 concurrent streaming	100 connection/ 60 concurrent streaming	30 connection/ 30 concurrent streaming	N/A
AeroMag	AeroMag AP / Client	AeroMag AP / Client	N/A	AeroMag AP / Client
Client-based Turbo Roaming	Yes	Yes	Yes	Yes
NAT	Yes	Yes	N/A	Yes
Dual Isolation	Power and antenna isolation protection	Power and antenna isolation protection	Power and antenna isolation protection	N/A
PoE Power Input	802.3af PoE	802.3af PoE	N/A	N/A
DC Power Input Range	12-48 VDC	12-48 VDC	12-48 VDC	9-30 VDC
Operating Temperature	Standard model: 0 to 60°C (-25 to 60°C for AWK-3131A); Wide temp model: -40 to 75°C	Standard model: 0 to 60°C (-25 to 60°C for AWK-3131A); Wide temp model: -40 to 75°C	Standard model: 0 to 60°C (-25 to 60°C for AWK-3131A); Wide temp model: -40 to 75°C	Standard model: 0 to 60°C (-25 to 60°C for AWK-3131A); Wide temp model: -40 to 75°C
IP Rating	IP68	IP30	IP30	IP30
Radio Certificates	FCC, CE, MIC, ANATEL, WPC, SRRC, KC, RCM	FCC, CE, MIC, ANATEL, WPC, SRRC, KC, RCM	FCC, CE, MIC, ANATEL, WPC, SRRC, KC, RCM	FCC, CE, MIC, ANATEL, WPC, SRRC, KC, RCM
Special Certificates	N/A	UL Class Division 2, ATEX Zone 2, IECEx	N/A	eMark